

SPECIFICATION

POLES : 1-6

CURRENT RATING : 5A, AC, DC, 250V

WITHSTANDING VOLTAGE : 1500 VAC/min.

INSULATION RESISTANCE : 1000 MΩ min.

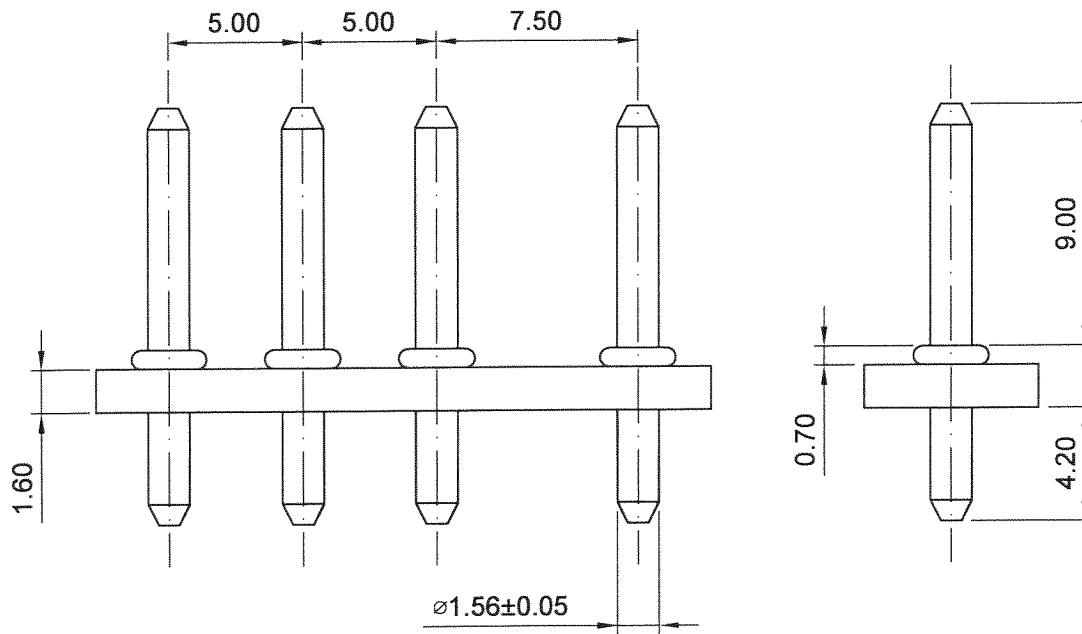
TEMPERATURE RANGE : -25°C ~ +85°C

CONTACT RESISTANCE : INITIAL VALUE / 10mΩ

MAX, AFTER ENVIRONMENTAL TESTING / 20mΩ MAX.

PIN : BRASS, TIN PLATED

INSULATOR MATERIAL : PHENOLIC BAKELITE(94V-0)



JAWS 兆旭股份有限公司
JAWS CO., LTD.

7F-1, NO.31, Lane 169, Kang Ning Street,
Hsichih, Taipei Hsien, Taiwan.
TEL: 886-2-2692-2898
FAX: 886-2-2692-2618
Http://www.jaws.com.tw



THIRD ANGLE
PROJECTION

DESIGN UNITS
mm INCH

SIZE: A4
SCALE: FREE
SHEET: 1/1

CPN NO.:
DAN NO.: S9711-045

TITLE:
1.56Ø POWER WAFER

PARTS NO.:
4155A-WS-04T-A

DWG NO.:
JAWS-SOP-4155A002

GENERAL TOLERANCES:

±0.30

DRAWN

CHECK

APPROVE

游熾瑩

Wang

陳世賢

DATE 97/11/27

DATE 97.12.3

DATE 97.12.8